

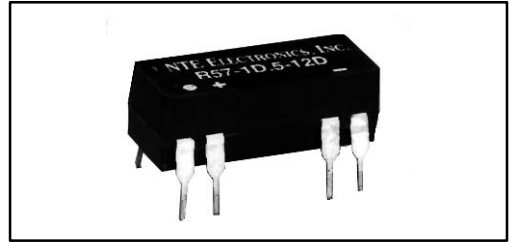
## Features

- Standard Industry Packaging
- 5 VDC Versions Operate Directly from DTL or TTL Circuits
- Internal Clamping Diode Versions (D-suffix)
- Flame Retardent Epoxy Case is Immersion Resistant

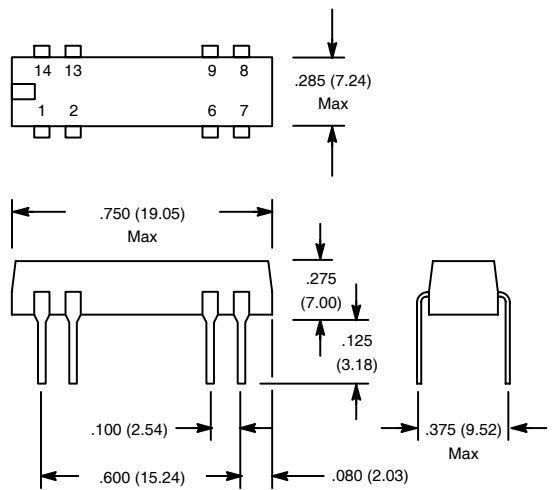
# R56 & 57 Series

## General Purpose DIP (Dual In-Line Package) DC Reed Relays.

DC OPERATED									
NTE Type No.	Nom. Voltage VDC	Contact Arr.	Coil Res. Ohms (typ)	Max Pickup VDC	Min. Drop Out VDC	Max. Curr. Amps	Times		Diag No.
							Max. Separate	Max. Release	
R56-1D.5-6	5	SPST-NO	500	3.8	0.5	0.50	330µs	75µs	D27C
R56-1D.5-6D	5	SPST-NO	500	3.8	0.5	0.50	330µs	150µs	D27D
R56-1D.5-12	12	SPST-NO	1200	9.0	1.0	0.50	400µs	75µs	D27C
R56-1D.5-24	24	SPST-NO	2200	18	2.0	0.50	400µs	75µs	D27C
R56-5D.5-6	6	SPDT	180	4.5	0.5	0.50	500µs	150µs	D27A
R56S-5D.5-6	5	SPDT	200	3.8	0.5	0.50	500µs	500µs	D27J
R56S-5D.5-6D	5	SPDT	200	3.8	0.5	0.50	500µs	500µs	D27K
R56-5D.5-12	12	SPDT	500	9.0	1.0	0.50	500µs	150µs	D27A
R56S-5D.5-12	12	SPDT	500	8.0	1.0	0.50	500µs	500µs	D27J
R56S-5D.5-12D	12	SPDT	500	8.0	1.0	0.50	500µs	500µs	D27K
R56-5D.5-24	24	SPDT	2200	18	2.0	0.50	700µs	150µs	D27A
R56S-5D.5-24	24	SPDT	1750	16	2.0	0.50	500µs	500µs	D27J
R56S-5D.5-24D	24	SPDT	1750	16	2.0	0.50	500µs	500µs	D27K
R56-7D.5-6	5	DPST-NO	200	3.8	0.5	0.50	700µs	75µs	D27E
R56-7D.5-6D	5	DPST-NO	200	3.8	0.5	0.50	500µs	200µs	D27F
R56-7D.5-12	12	DPST-NO	500	9.0	1.0	0.50	700µs	75µs	D27E
R56-7D.5-12D	12	DPST-NO	500	8.0	1.0	0.50	500µs	200µs	D27F
R56-7D.5-24	24	DPST-NO	2200	18	2.0	0.50	700µs	75µs	D27E
R56-7D.5-24D	24	DPST-NO	1750	16	2.0	0.50	500µs	200µs	D27F
R57-1D.5-5/6	5/6	SPST-NO	500	3.8	0.5	0.50	400µs	75µs	D27C
R57-1D.5-5/6D	5/6	SPST-NO	500	3.8	0.5	0.50	400µs	150µs	D27D
R57-1D.5-12	12	SPST-NO	1200	9.0	1.0	0.50	400µs	75µs	D27C
R57-1D.5-12D	12	SPST-NO	1200	9.0	1.0	0.50	400µs	150µs	D27D
R57-1D.5-24	24	SPST-NO	2200	18	2.0	0.50	400µs	75µs	D27C
R57-1D.5-24D	24	SPST-NO	2200	18	2.0	0.50	400µs	150µs	D27D
R57-2D.5-5/6	5/6	SPST-NC	500	3.8	0.5	0.50	450µs	75µs	D27G
R57-2D.5-5/6D	5/6	SPST-NC	500	3.8	0.5	0.50	450µs	150µs	D27H
R57-2D.5-12	12	SPST-NC	1200	9.0	1.0	0.50	450µs	75µs	D27G
R57-2D.5-12D	12	SPST-NC	1200	9.0	1.0	0.50	450µs	150µs	D27H
R57-2D.5-24	24	SPST-NC	2200	18	2.0	0.50	400µs	75µs	D27G
R57-2D.5-24D	24	SPST-NC	2200	18	2.0	0.50	400µs	150µs	D27H
R57-5D.25-5/6	5/6	SPDT	200	3.8	0.5	0.25	500µs	175µs	D27A
R57-5D.25-5/6D	5/6	SPDT	200	3.8	0.5	0.25	500µs	250µs	D27B
R57-5D.25-12	12	SPDT	500	9.0	1.0	0.25	700µs	150µs	D27A
R57-5D.25-12D	12	SPDT	500	9.0	1.0	0.25	700µs	250µs	D27B
R57-5D.25-24	24	SPDT	2200	18	2.0	0.25	700µs	150µs	D27A
R57-5D.25-24D	24	SPDT	2200	18	2.0	0.25	700µs	250µs	D27B



### D27



## Electrical Specifications

### Contact

**Rating:** See Chart for switching Current  
**Resistance:** 200 milliohms initial  
**Switching volts max:** 100 VDC  
**Rating max:** 0.5A = 10 VA, 0.25A = 4 VA

### Insulation Characteristics

**Dielectric Strength**  
**Across Open Contacts:** 200 VDC  
**Contact to Contact:** 1000 VDC

### Environmental Characteristics

**Operating:** -45°C to +85°C  
**Storage:** -60°C to +105°C  
**Mounting Position:** Any

### Capacitance

**Across Open Contacts:** 1.0pf typical  
**Open Contacts to Coil:** 2.0pf (SPST-NO, DPST-NO)  
 2.5pf (SPST-NC)  
 3.0pf (SPDT) typical

### Life

**At rated load:** 5 x 10<sup>6</sup> (with appropriate contact protection)

### Weight

**Std:** 1 gram approx.

# Outlines For R56 & R57 Series

